

ICE CREAM FREEZER

INSTALLATION AND USE

CONGELADORES PARA GELADOS

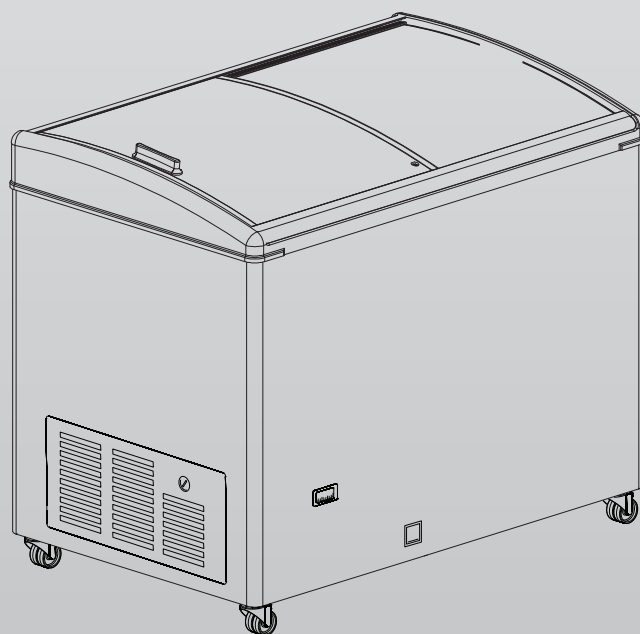
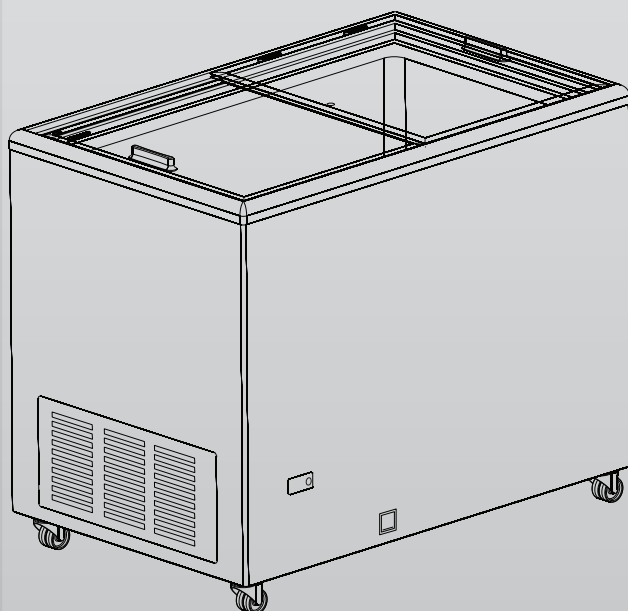
INSTALAÇÃO E USO

CONGELADOR DE HELADOS

INSTALACIÓN Y USO

CONGÉLATEUR POUR CRÈME GLACÉE

INSTALLATION ET EMPLOI



Product description

Ice Cream Freezers are autonomous models indicated for the exhibition and sale of packaged or scooping ice cream. The cold system is of the static type with protected evaporative circuit.

Descrição do Produto

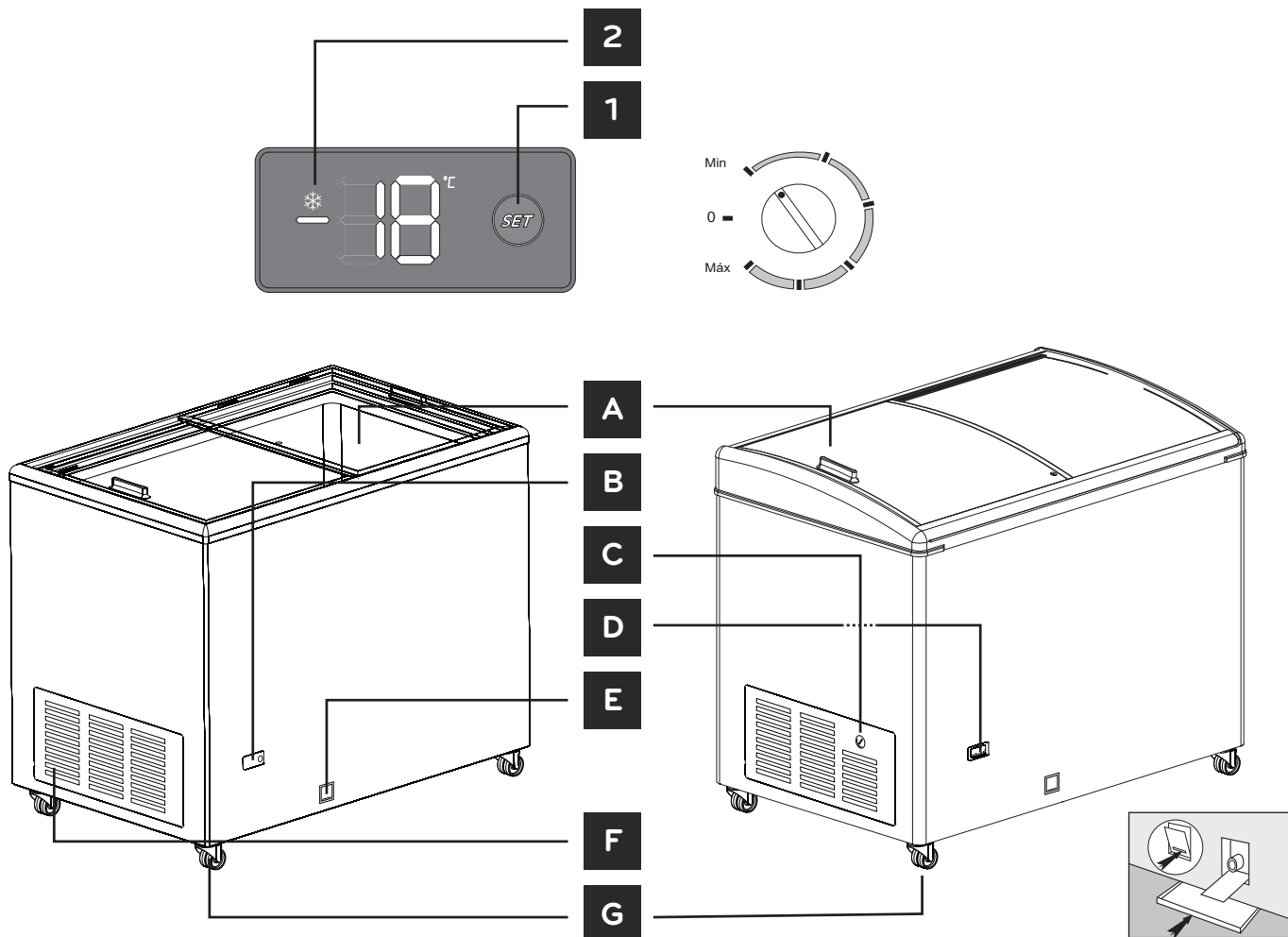
Os Congeladores de Gelados são modelos autónomos indicados para a exposição e venda de gelados embalados ou tipo "scooping". O sistema de frio é do tipo estático com circuito evaporante protegido.

Descripción del Producto

Los Congeladores de Helado son modelos autónomos indicados para la exhibición y venta de helado envasado o en cuchara. El sistema de frío es de tipo estático con circuito evaporador protegido.

Description du produit

Les Congélateurs de Crème Glacée sont des modèles autonomes indiqués pour l'exposition et la vente de crème glacée emballée ou écope. Le système froid est de type statique avec circuit d'évaporation protégé.



- A** Lids / Tampas / Tapas / Couvertcles
- B** Controller* / Controlador* / Controlador* / Contrôleur*
- C** Thermostat* / Termostato* / Termostato* / Thermostat*
- D** Thermometer / Termómetro / Termómetro / Thermomètre
- E** Drain / Dreno / Desagüe / Drainage
- F** Ventilating grille / Grelha de ventilação / Rejilla de ventilación / Grille de ventilation
- G** Wheels / Rodas / Ruedas / Roues

- *
 - To adjust see chapter "Setting up the appliance"
 - Para regulação ver capítulo "Instalação"
 - Para ajustar, consulte el capítulo "Instalación del aparato"
 - Pour le réglage, voir le chapitre "Installation de l'appareil"

SAFETY

ATTENTION

Read this manual carefully since it contains instructions which will ensure safe installation, use and maintenance of your appliance.

Your appliance has been built to International safety standards (2014/35/EU).

It also meets the standards on the prevention and elimination of radio interference (2014/30/EU).

- Please read this manual carefully and keep it for future consulting.
- The manufacturer reserves the right to modify the characteristics of the models without prior notice.
- Some models may not have all the accessories indicated.

Warning: This appliance must be earthed.

1. This appliance has been designed to be used indoors and under no circumstances should it be installed outside, even if protected by a roof. Leaving the appliance exposed to the rain and whether is exceedingly dangerous.

2. Do not attempt to operate or handle this appliance when barefoot, or with wet hands or feet.

3. It is highly recommended that you do not operate this appliance by connecting it to the power supply with extensions or multiple socket plugs. If the appliance has been installed between two cabinets, make sure that the supply cord is not dangerously crimped or trapped beneath a heavy object.

4. Never pull the cable or the appliance to remove the plug from the socket; this is exceedingly dangerous.

5. Do not touch the internal cooling elements, especially if your hands are wet, since you could burn or hurt yourself. Do not place ice cubes straight from the freezer into your mouth as this may result in burns.

6. Before doing any cleaning, disconnect the appliance from the electricity (by pulling out the plug or turning off the general switch in the main electrical cabinet).

7. Before disposing of your old appliance, remember to break or remove the lock (if available) as a safety measure to protect children who might lock themselves inside the appliance when playing. In addition, if the appliance is a new one with a lock, keep the key out of the reach of small children.

8. If your appliance is not operating properly, read the chapter entitled, "Troubleshooting", which might help you resolve the problem. Do not attempt to repair the appliance by tampering with the internal components.

9. If the supply cord is damaged or not suitable for your socket outlet, it must be replaced by the manufacturer, the manufacturer's service agent or similarly qualified personnel in order to avoid a hazard.

10. Do not use electric appliances inside the food storage compartments of the appliance, unless they are of the type recommended by the manufacturer.

Do not use mechanical devices or other means to accelerate the defrosting process, other than those recommended by the manufacturer.

11. Do not store explosive substances

such as aerosol cans with a flammable propellant in this appliance.

12. At the end of the functional life of your appliance - containing cyclopentane gas in the insulation foam and perhaps R600a or R290 gas (hydrocarbon gases) in the refrigeration circuit - it should be necessary to promote his disposal in accordance with the legislation in force. For this operation, please contact your dealer or the Local

Organization in charge of waste disposal.

 Risk of fire, flammable materials.

13. Do not damage the refrigeration circuit.

14. Keep ventilation openings, in the appliance enclosure or in the built-in structure, clean and clear of obstruction.

15. Maximum load per basket 15 kg.

16. The equipment in operation does not exceed the noise level of 70 dB.

FUSE REPLACEMENT

If the mains lead of this appliance is fitted with a BS 1363A 13 amp fused plug, to change a fuse in this type of plug use an A.S.T.A. approved fuse to BS 1362 type and proceed as follows:

1. Remove the fuse cover and fuse.
2. Fit replacement 13A fuse into fuse cover.
3. Refit both into plug.

Important: The fuse cover must be refitted when changing a fuse and if the fuse cover is lost the plug must not be used until a correct replacement is fitted.

Correct replacement is identified by the colour insert or the colour embossed in words on the base of the plug. Replacement fuse covers are available in your local electrical store.

INSTALLATION

To ensure that the appliance operates properly and to reduce energy consumption, it is important that the appliance is installed correctly.

Ventilation

The compressor and condenser generate heat and, therefore, need to be ventilated properly. Rooms with no ventilation are not suited for installation of the appliance. Therefore, it should be installed in a room with an opening (window or French window) that provide the appropriate amount of air re-circulation. It is also important to install it in a free humidity room.

During installation, make sure not to cover or obstruct the grates that allow for proper ventilation of the appliance. For proper ventilation of the appliance, leave a space of at least 10 cm between the sides of the appliance and any adjacent cabinets/walls.

Away from heat

Avoid positioning the appliance in a place where it is directly exposed to sunlight or near an oven, cook top or similar equipment.

Levelling

Install the appliance on a level and rigid floor.

Electrical and earth connection

The appliance should not be turned on right after transportation. Two hours is the advised time so that the oil from the motor-compressor gets back to its original position.

Before proceeding with the electrical connection, make sure that the voltage indicated on the rating plate, corresponds to the mains voltage in your home and that the socket is fitted with a standard earth wire in accordance with safety standards. If the socket is not fitted with an earth wire, the manufacturer will not be held liability for any damages and or injuries arising out of the use of the appliance. Do not use multiple sockets or adapters. Position the appliance in such a way that you can access the socket where it is plugged in.

Power supply

The electrical socket must be able to handle the maximum power load of the appliance, which is indicated on the rating plate located in the back of the appliance.

SETTING UP THE APPLIANCE

Before starting the appliance, read and follow "Safety" and "Installation" instructions.

Before connecting the appliance, clean the compartments and accessories with lukewarm water and bicarbonate. Please dry well all parts.

Insert the plug into the socket the controller or the thermometer (according to product options) will show the internal temperature of the appliance.

Models with electronic controller:

Pressing and releasing controller key "1" will show the actual set point. You can adjust this value pressing repeatedly key "1"; set

point will change in the range -9°C to -22°C. Arriving to the minimum temperature, it will restart from the beginning of the range. Configuration will be memorised after 5 seconds without touching any key.

The values shown on the controller are the real ones read in the appliance, so it is necessary to wait for the new internal conditions to be effective.

Compressor symbol "2": if fixed the compressor is running, blinking means the compressor will start within a few minutes (anti-short cycle).

Models with thermostat and thermometer:

Temperature is adjusted by turning the knob in the ventilating grille, set a medium position, let the temperature stabilise for a couple of hours and adjust according to thermometer reading.

Do not fill above load marks; allow free air circulation around goods.

Place only cold or room temperature foods.

NOTICE

Use average temperature settings to ensure optimum performance and to save energy.

Some models may not have all the functions described.

EFFICIENT USAGE OF THE APPLIANCE

Tips on storage

Ice cream storage temperature depends from formulation; adjust set point in order to obtain the internal temperature that suits your specific needs.

Internal temperature can be read on the controller or in their thermometer (according to product options) you should allow it to stabilize after each temperature adjustment.

Higher temperatures than the recommended ones can conduct to goods deterioration.

In the case of power failure or breakdown, do not open the appliance lid. This will help maintain the temperature inside the unit, ensuring that the goods are preserved for at least 8 hours.

Do not place full bottles in the appliance because liquids increase in volume when they freeze and this could cause the bottles to burst.

Climate classes

According to the EN 16901 standard, this device is designed to operate in climates corresponding to class C.

Climatic class EN 16901	Minimum temperature and humidity	Maximum temperature and humidity
A	+16°C, 80%	+30°C, 55%
B	+16°C, 80%	+35°C, 75%
C	+16°C, 80%	+40°C, 40%

According to the electrical safety standard, IEC 60335-2-89, its classification is class 4.

Climatic class IEC 60335-2-89	Temperature (°C)	Humidity (%Rh)
3	25°C	60%
4	30°C	55%
5	40°C	40%

MAINTAINING THE APPLIANCE

Before doing any cleaning, disconnect the appliance from the electricity (by pulling out the plug or turning off the general switch).

WARNING: do not damage the refrigeration circuit.

Defrosting

It is a good idea to remove the frost build up from the inside of the appliance from time to time.

Make sure not to use pointed metal objects to do so as this could result in piercing the refrigeration circuits, causing irreparable damage to the appliance.

To defrost the freezer completely, disconnect the appliance from the power supply and leave the lid open until all the frost has melted.

The defrost water can be collected using the dedicated drain and a tray.

To speed up defrosting, one or more pots of warm water can be placed inside the appliance.

Cleaning and maintenance

The inside of the freezer should be cleaned on a periodic basis after it has been defrosted. Only use a water and bicarbonate solution to clean the appliance. Do not use abrasive cleaning products, detergents or soap. After cleaning the inside, rinse well with clean water and dry carefully.

Turn on the appliance, following the instructions in "Setting up the Appliance".

Condenser cleaning

The type of condenser used in your appliance does not require regular cleaning.

When not in use

Should the unit not be used for a long period of time, disconnect the plug from the mains and leave the lid open to avoid the formation of mould and unpleasant odours after completing the defrosting and cleaning operations.

TROUBLESHOOTING

The appliance does not cool well

- The lids do not close properly or the seals are damaged.
- The lids are opened too frequently.
- Controller set point is correctly programmed.
- The product has been over-filled.
- The atmospheric temperature of the area surrounding the appliance is according to product climate class.

Ice build-up inside the appliance

Notice: Your appliance does not have automatic defrost, it is necessary to perform a manual defrost when the internal ice is in excess

- The lids do not close properly or the seals are damaged.
- The lids are opened too frequently.
- The atmospheric temperature of the area surrounding the

appliance is according to product climate class.

The appliance makes too much noise

- Check if the freezer is levelled.
- The appliance has been installed between cabinets that vibrate and make noise. If it is the noise made by the refrigerant, which occurs even when the compressor is off (this is not a defect).

If after the checks, the appliance still does not operate or the problem persists, call the nearest Service Centre, communicating type of malfunction, appliance model (**Mod.**) and Serial Number (**SN**). This information can be found on the data plate located on the side of the appliance.

Never call on unauthorized technicians and always refuse spare parts which are not originals.

CUSTOMER SERVICE

Warranty, technical assistance and replacement parts for products marketed in the European Economic Area (EEA):

The minimum warranty period in the EEA is 12 months after the date of purchase of the equipment.

Original accessories and parts, relevant to maintaining the functionality of the device, can be obtained for a period of not less than 8 years from the date of sale of the device. To request them, consult customer service, indicating the desired accessory and providing the reference and serial number of the device. Some parts are reserved for assembly by accredited professionals and cannot be sold to end users.

Professional repairers can apply for accreditation with the manufacturer or its representative by contacting customer service at the

address indicated on the rating plate on the back of the appliance.

After registering and approving the credentials, all relevant technical documentation will be sent. There may be a cost associated with this process.

The reading of the QR code, found on the energy consumption label (only applicable in the EEA), establishes a web connection to the information related to the performance and technical characteristics of the device registered in the EPREL database.

Additional information can be found by going to [//eprel.ec.europa.eu](http://eprel.ec.europa.eu).

For other markets, consult the conditions at the point of sale.

PT

SEGURANÇA

ATENÇÃO

Leia cuidadosamente este manual, uma vez que ele garante a correta instalação, utilização e manutenção do seu aparelho.

O seu aparelho foi desenvolvido de acordo com as Normas Europeias no âmbito da Diretiva de Baixa Tensão (2014/35/UE) e da Diretiva de Compatibilidade Eletromagnética (2014/30/UE).

- Guarde este manual para poder consultá-lo em qualquer momento.
- O fabricante reserva-se o direito de alterar as características dos modelos sem aviso prévio.
- Alguns modelos podem não dispor da totalidade dos acessórios assinalados.

AVISO: Este aparelho deve ser ligado à terra.

1. Este aparelho não deve ser instalado ao ar livre, mesmo se a área estiver protegida por uma cobertura. É muito perigoso deixá-lo exposto à chuva e intempéries.
2. Nunca tocar ou manusear este aparelho com os pés descalços, ou com mãos ou pés molhados.
3. Não é aconselhável a utilização de

extensões ou fichas múltiplas. Se o refrigerador for instalado entre móveis, verificar se o cabo elétrico não fica dobrado nem pressionado de forma perigosa.

4. Nunca puxar o cabo de alimentação nem o aparelho para o soltar da tomada da parede: é muito perigoso.

5. Não tocar nos componentes internos de refrigeração, principalmente com as mãos molhadas, poderá sofrer queimaduras ou ferir-se. Pela mesma razão também não deve colocar na boca cubos de gelo recém retirados do congelador.

6. Não limpar nem efetuar operações de manutenção antes de desligar o aparelho na tomada de alimentação ou no quadro geral.

7. Antes de se desfazer do seu aparelho, retire a eventual fechadura para evitar que crianças a brincar possam ficar trancadas dentro do aparelho. Adicionalmente se o seu aparelho estiver equipado com fechadura mantenha a chave longe do alcance de crianças.

8. No caso de avaria, leia o capítulo "**Há um problema?**", para verificar se lhe é possível resolver a eventual avaria. Não tente proceder à sua

reparação, mexendo nas partes internas do aparelho.

9. Se o cabo de alimentação estiver danificado ou não for adequado à sua tomada elétrica, deve ser substituído pelo fabricante, pelo seu serviço pós-venda ou pessoa igualmente qualificada de modo a evitar um perigo.

10. Não utilize aparelhos elétricos no interior do aparelho, excetuando os recomendados pelo fabricante.

Não utilize aparelhos mecânicos ou quaisquer outros para acelerar o processo de descongelamento, excetuando os recomendados pelo fabricante.

11. Não armazenar neste aparelho substâncias explosivas tais como aerossóis contendo gases propulsores inflamáveis.

12. No final da vida útil do aparelho - que contém gases inflamáveis, tais como o ciclopentano na espuma de

isolamento e possivelmente R600a ou R290 (hidrocarbonetos) no circuito de refrigeração, é necessário promover a sua eliminação de acordo com a legislação em vigor. O consumidor deve contactar as entidades locais ou os pontos de venda, para solicitar informação referente à sua entrega para reciclagem.

 **Risco de incêndio, materiais inflamáveis.**

13. Não danificar o circuito de refrigeração.

14. Manter as aberturas de ventilação do aparelho e da eventual estrutura de encaixe limpas e livres de obstruções.

15. A carga máxima suportada por cada cesto é de 15kg.

16. O equipamento em funcionamento não ultrapassa o nível de ruído de 70dB.

INSTALAÇÃO

Para garantir que o aparelho funciona corretamente e para reduzir o consumo de energia, é importante que o aparelho esteja instalado corretamente.

Ventilação

O compressor e condensador geram calor e, portanto, precisam de ser corretamente ventilados. Os locais sem ventilação não são adequados para a instalação deste tipo de aparelho. Por conseguinte, deve ser instalada numa zona com uma abertura (janela ou porta-janela) que forneça a quantidade desejável de ar fresco de recirculação. Também é importante que o local não tenha ar com demasiada humidade relativa.

Durante a instalação, certifique-se que não cobre ou obstrui as grelhas que permitem a ventilação adequada do aparelho. Para a ventilação adequada do aparelho, deixe um espaço de, pelo menos, 10 cm entre os lados do aparelho e todos os obstáculos adjacentes / paredes.

Fontes de calor

Evitar que o equipamento seja instalado junto a fontes de calor (fornos, fogões ou similares) ou exposto diretamente à irradiação solar.

Nivelamento

Instale o aparelho sobre um piso plano e rígido.

Ligação

O aparelho não deve ser ligado logo após o transporte. Duas horas é o tempo aconselhado para que o óleo do motor-compressor volte à sua posição original.

Antes de estabelecer a ligação elétrica, certifique-se de que a tensão indicada na placa de identificação do aparelho, corresponde à tensão da rede e que a tomada está equipada com um condutor de terra em conformidade com as normas de segurança. Se a tomada não estiver equipada com um condutor de terra, o fabricante não aceitará qualquer responsabilidade por danos ou ferimentos eventualmente ocorridos na utilização do aparelho. Não utilize tomadas múltiplas ou adaptadores.

Instale o aparelho de modo a que seja possível aceder facilmente à ficha e tomada elétrica.

Alimentação elétrica

A alimentação elétrica deve ser adequada ao valor da corrente nominal (A) do aparelho, indicada na placa de características colocada no interior do aparelho.

COMO PÔR EM FUNCIONAMENTO O APARELHO

Antes de colocar em funcionamento o aparelho, leia e respeite as secções “Segurança” e “Instalação”.

Antes de ligar o aparelho à rede de alimentação limpe o interior e os acessórios utilizando bicarbonato de sódio dissolvido em água morna. Enxaguar com água limpa e secar com cuidado.

Ligue o aparelho à rede de alimentação elétrica, o controlador ou o

termómetro (conforme opção de produto) irá mostrar a temperatura interna do aparelho.

Modelos com controlador eletrónico:

Pressionando e soltando a tecla “1” mostra a temperatura programada. Pode ajustar este valor pressionando repetidamente

a tecla “1”, o valor vai alterando no campo de -9°C a -22°C. Chegando à temperatura mínima irá recomençar do início do campo de regulação. A configuração escolhida será memorizada após 5 segundos sem tocar nenhuma tecla.

Os valores mostrados no controlador são os lidos no interior do aparelho, é necessário aguardar que os novos valores programados estabilizem.

O símbolo “2” estando fixo indica que o compressor está em funcionamento, se a piscar significa que o compressor iniciará o seu funcionamento em breve.

Modelos com termostato mecânico e termómetro:

A temperatura é ajustada no botão de regulação que se encontra na

UTILIZAÇÃO EFICIENTE DO EQUIPAMENTO

Utilize melhor o seu conservador

A temperatura ideal para os gelados depende da formulação dos mesmos; ajuste a temperatura alvo para obter a temperatura interna que se adequa às suas necessidades específicas.

A temperatura interna pode ser lida no controlador ou no termómetro (conforme a opção de produto), deve deixar estabilizar o valor após cada ajuste de temperatura alvo.

Ajustes que conduzam a temperaturas internas mais quentes que as recomendadas podem comprometer a conservação dos bens.

No caso de falha de energia não abra a tampa do aparelho. Isto irá ajudar a manter a temperatura no interior garantindo que os bens se preservam pelo menos durante 8 horas.

Não coloque garrafas cheias no aparelho, os líquidos aumentam de volume quando congelam o que pode provocar o rebentamento das garrafas.

Classe climática

De acordo com a norma EN 16901 este aparelho está desenhado para funcionar em climas correspondentes à classe C.

grelha de ventilação. Coloque numa posição média deixe estabilizar a temperatura por algumas horas e ajuste se necessário em função da temperatura lida no termómetro.

Não encha acima da linha de carga permita a circulação do ar em torno dos bens.

Coloque apenas bens frios ou à temperatura ambiente.

Notas:

Use ajustes de temperatura médios para garantir um funcionamento ótimo e poupar energia.

Alguns modelos podem não ter todas as funções descritas.

Classe climática EN 16901	Temperatura e humidade mínima	Temperatura e humidade máxima
A	+16°C, 80%	+30°C, 55%
B	+16°C, 80%	+35°C, 75%
C	+16°C, 80%	+40°C, 40%

Segundo a norma de segurança elétrica, IEC 60335-2-89, a sua classificação é classe 4.

Classe climática IEC 60335-2-89	Temperatura (°C)	Humidade (%Rh)
3	25°C	60%
4	30°C	55%
5	40°C	40%

POUPANÇA DE ENERGIA

Instalar bem o aparelho

Isto é, longe de fontes de calor, da luz direta do sol, num local bem ventilado.

O frio correto

Se decidir alterar a temperatura programada tenha em consideração que o excesso de frio, além de consumir muito, não melhora nem prolonga a conservação dos alimentos.

Fechar as tampas

Aceda ao equipamento apenas quando estritamente necessário - cada vez que você abrir a porta a maior parte do ar frio será perdido. A fim de restaurar a temperatura correta, o motor terá que

consumir mais energia.

Garanta que as tampas ficam bem fechadas, tampas mal fechadas permitem a entrada de ar húmido e quente provoca acumulação de gelo no interior e aumenta os consumos.

Verifique os vedantes e a estanquicidade das tampas

Mantenha os vedantes limpos e flexíveis para garantir que nenhum ar frio é perdido.

Evite acumulação de gelo no interior

Recorde-se de descongelar o aparelho quando o gelo acumulado nas paredes internas estiver espesso.

A acumulação de gelo reduz a eficiência do aparelho.

MANUTENÇÃO DO EQUIPAMENTO

Antes de começar as operações de limpeza ou de manutenção lembre-se de desligar o aparelho da rede de alimentação elétrica (desligar a ficha da tomada ou o interruptor geral do local).

ATENÇÃO: não danifique o circuito de refrigeração.

Descongelamento

É conveniente eliminar regularmente o gelo acumulado nas paredes internas.

Não use objetos pontiagudos para raspar o gelo pois podem perfurar o circuito refrigerante causando danos irreparáveis no aparelho.

Para descongelar totalmente o aparelho, desligue a ficha da tomada e deixe as tampas abertas até que todo o gelo derreta.

A água do descongelamento pode ser recolhida usando o dreno

disponível para o efeito e um tabuleiro (ver gravura na página inicial).

Para acelerar o descongelamento pode introduzir no aparelho recipientes com água quente.

Limpeza do aparelho

O interior do congelador deve ser limpo regularmente após o descongelamento. Use apenas uma solução de água e bicarbonato de sódio para a limpeza. Não utilize produtos de limpeza abrasivos, detergentes ou sabão.

Depois de limpar, enxague com água limpa e seque cuidadosamente.

Ligue de novo o aparelho seguindo as instruções da secção “Como pôr em funcionamento o aparelho”.

Limpeza do condensador

O tipo de condensador utilizado no seu aparelho não exige limpezas regulares.

HÁ UM PROBLEMA

O equipamento não refrigera corretamente

- Verifique se as tampas estão bem fechadas ou se as juntas estão danificadas.
- Verifique se as tampas não são abertas com muita frequência.
- Verifique se a temperatura alvo está corretamente programada.
- Verifique se o aparelho não se encontra demasiado cheio..
- Verifique se as condições do local onde está instalado se encontram de acordo com a classe climática do aparelho.

Acumulação de gelo no interior do aparelho:

Nota: O seu aparelho não tem descongelação automática, é necessário descongelar manualmente quando o gelo é excessivo.

- Verifique se as tampas estão bem fechadas ou se as juntas estão danificadas.
- Verifique se as tampas não são abertas com muita frequência.
- Verifique se as condições do local onde está instalado estão de

Quando não está em uso

Caso a unidade não esteja a ser utilizada por um longo período de tempo, desligue a ficha da tomada e deixe a tampa aberta para evitar a formação de bolor e odores desagradáveis.

acordo com a classe climática do aparelho.

O equipamento produz um ruído fora do normal

- Verifique se o aparelho não foi instalado encostado a objetos que possam vibrar e causar ruído.
- Ruído causado pelo gás refrigerante mesmo quando o compressor está parado é normal.

Se mesmo assim estas ações não resultarem contacte o serviço técnico autorizado pelo fabricante, ou seu representante, indicando o modelo de aparelho "Mod" e o número de série "SN". Esta informação pode ser encontrada na chapa de características colocada na traseira do aparelho.

Nunca chame técnicos não autorizados e recuse peças que não sejam originais.

SERVIÇO AO CLIENTE

Garantia, assistência técnica e peças de substituição para produtos comercializados no Espaço Económico Europeu (EEE):

A duração mínima da garantia no EEE é de 12 meses após a data de compra do equipamento.

Acessórios e peças originais, relevantes para manter a funcionalidade do aparelho, podem ser obtidos por um período não inferior a 8 anos a partir da data de venda do aparelho. Para solicitá-los consulte o serviço de atendimento ao cliente, indicando o acessório pretendido e facultando a referência e o número de série do aparelho. Algumas peças estão reservadas para montagem por profissionais acreditados e não podem ser vendidas a utilizadores finais.

Os reparadores profissionais podem solicitar a acreditação junto

do fabricante ou seu representante, contactando o serviço de atendimento ao cliente para a morada indicada na chapa de características colocada na traseira do aparelho.

Depois do registo e aprovação das credenciais, será enviada toda a documentação técnica relevante. Pode haver um custo associado a este processo.

A leitura do código QR, existente na etiqueta de consumo energético (só aplicável no EEE), estabelece uma conexão Web com informação relacionada com o desempenho e características técnicas do aparelho registada na base de dados EPREL. Pode encontrar informação adicional acedendo à ligação //eprel.ec.europa.eu.

Para outros mercados consulte as condições no local de venda.

ES

SEGURIDAD

ATENCIÓN

Lea el manual cuidadosamente ya que contiene instrucciones que garanticen la seguridad de instalación, uso y mantenimiento del aparato.

Su aparato ha sido construido según las normas de seguridad internacionales (2014/35 / UE).

También cumple con las normas sobre prevención y eliminación de interferencias de radio (2014/30 / UE).

- El fabricante se reserva el derecho a modificar las características de los modelos sin previo aviso.

Algunos modelos pueden no tener todos los accesorios indicados.

Advertencia: este aparato debe estar conectado a tierra.

1. Este aparato ha sido diseñado para ser utilizado en interiores y bajo ninguna circunstancia debe instalarse en el exterior, incluso si está protegido por un techo.

Dejar el aparato expuesto a la lluvia es excesivamente peligroso.

2. No intente operar o manipular este aparato cuando esté descalzo o con

las manos o los pies mojados.

3. Se recomienda encarecidamente que no utilice este aparato conectándolo a la fuente de alimentación con extensiones o enchufes múltiples. Si el aparato se ha instalado entre dos gabinetes, asegúrese de que el cable de alimentación no esté peligrosamente doblado o atrapado debajo de un objeto pesado.

4. Nunca tire del cable o del aparato para quitar el enchufe de la toma; esto es extremadamente peligroso.

5. No toque los elementos de refrigeración internos, especialmente si tiene las manos mojadas, ya que podría quemarse o lastimarse. No coloque cubitos de hielo directamente del congelador en su boca, ya que esto puede provocar quemaduras.

6. Antes de realizar cualquier limpieza, desconecte el aparato de la red eléctrica (desenchufando el enchufe o apagando el interruptor general del armario eléctrico principal).

7. Antes de deshacerse de su antiguo aparato, recuerde romper o quitar el cierre (si está disponible) como medida de seguridad para proteger a los niños que podrían encerrarse dentro del electrodoméstico mientras juegan. Además, si el aparato es nuevo con cerradura, mantenga la llave fuera del alcance de los niños pequeños.

8. Si su electrodoméstico no funciona correctamente, lea el capítulo titulado “**Solución de problemas**”, que puede ayudarlo a resolver el problema. No

intente reparar el aparato alterando los componentes internos.


9. Si el cable de alimentación está dañado o no es adecuado para su toma de corriente, debe ser reemplazado por el fabricante, el agente de servicio del fabricante o personal calificado similar para evitar un peligro.

10. No utilice aparatos eléctricos dentro de los compartimentos de almacenamiento de alimentos del aparato, a menos que sean del tipo recomendado por el fabricante.

No utilice dispositivos mecánicos u otros medios para acelerar el proceso de descongelación, distintos de los recomendados por el fabricante.

11. No almacene sustancias explosivas como latas de aerosol con un propulsor inflamable en este aparato.

12. Al final de la vida útil de su aparato, que contiene gas ciclopentano en la espuma aislante y quizás gas R600a o R290 (gases de hidrocarburos) en el circuito de refrigeración, debería ser necesario promover su eliminación de acuerdo con la legislación vigente. Para esta operación, comuníquese con su distribuidor o con la organización local a cargo de la eliminación de desechos.

 **Riesgo de incendio, materiales inflamables.**

13. No dañe el circuito frigorífico

14. Mantenga las aberturas de ventilación, en el gabinete del aparato o en la estructura incorporada, limpias y libres de obstrucciones.

15. Carga máxima por cesta 15 kg.

16. El equipo en funcionamiento no supera el nivel de ruido de 70 dB.

INSTALACIÓN

Para asegurarse de que el aparato funcione correctamente y para reducir el consumo de energía, es importante que el aparato esté instalado correctamente.

Ventilación

El compresor y el condensador generan calor, necesitan una ventilación adecuada. Por lo tanto, lo aparato debe instalarse en una habitación con una abertura (ventana o ventana francesa) que

proporcione la cantidad adecuada de recirculación de aire. También es importante instalarlo en una habitación sin humedad. Durante la instalación, asegúrese de no cubrir u obstruir las rejillas que permiten una ventilación adecuada del aparato. Para una ventilación adecuada, deje un espacio de al menos 10 cm entre los lados del aparato y los gabinetes / paredes adyacentes.

Lejos del calor

Evite colocar el aparato en un lugar donde esté directamente expuesto a la luz solar o cerca de un horno, placa de cocción o equipo similar.

Bien nivelado

Instale el aparato en un piso nivelado y rígido.

Conexión eléctrica y a tierra

El aparato no debe encenderse inmediatamente después del

transporte. Dos horas es el tiempo aconsejado para que el aceite del motor-compresor vuelva a su posición original.

Antes de proceder con la conexión eléctrica, asegúrese de que la tensión indicada en la placa de características se corresponda con la tensión de red de su hogar y de que la toma esté equipada con un cable de tierra estándar de acuerdo con las normas de seguridad. Si la toma no está equipada con un cable de tierra, el fabricante no se hará responsable de los daños o lesiones que surjan del uso del aparato. No utilice varios enchufes o adaptadores. Coloque el aparato de tal manera que pueda acceder a la toma de corriente donde está enchufado.

Fuente de alimentación

La toma de corriente debe poder soportar la carga máxima del aparato, que se indica en la placa de características ubicada en la parte posterior del aparato.

USO DEL APARATO

Antes de encender el aparato, lea y siga las instrucciones de "Seguridad" e "Instalación".

Antes de conectar el aparato, limpie los compartimentos y accesorios con agua tibia y bicarbonato. Seque bien todas las piezas.

Conecte el dispositivo a la fuente de alimentación, el controlador o el termómetro (según la opción del producto) mostrará la temperatura interna del dispositivo.

Modelos con controlador electrónico:

Al presionar y soltar la tecla "1" se muestra la temperatura programada. Puede ajustar este valor presionando la tecla "1" repetidamente; el valor cambia en el campo de -9°C a -22°C. Al alcanzar la temperatura mínima, volverá a arrancar desde el inicio del campo de regulación. La configuración elegida quedará memorizada después de 5 segundos sin tocar ninguna tecla. Los valores mostrados en el controlador son los leídos dentro del dispositivo, es necesario esperar a que se estabilicen los nuevos valores programados.

El símbolo "2", cuando está fijo, indica que el compresor está funcionando, si parpadea significa que el compresor comenzará a funcionar pronto.

Modelos con termostato mecánico y termómetro:

La temperatura se regula con el botón de regulación ubicado en la rejilla de ventilación, ponerlo en una posición media y se deja estabilizar la temperatura durante unas horas, se ajusta si es necesario según la temperatura leída en el termómetro.

No llene por encima de la línea de carga; permita que el aire circule alrededor de la mercancía.

Coloque solo productos fríos o a temperatura ambiente.

Notas:

Use ajustes de temperatura medios para garantizar un funcionamiento óptimo e poupar energia.

Alguns modelos podem não ter todas as funções descritas.

UTILIZACIÓN EFICIENTE DEL APARATO

Haga un mejor uso de su conservador

La temperatura ideal para el helado depende de su formulación; ajuste la temperatura objetivo para obtener la temperatura interna que se adapte a sus necesidades específicas.

La temperatura interna se puede leer en el controlador o en el termómetro (dependiendo de la opción del producto), debe permitir que el valor se estabilice después de cada ajuste de temperatura.

Los ajustes que conducen a temperaturas internas más cálidas que las recomendadas pueden comprometer la conservación de los activos.

En caso de un corte de energía, no abra la tapa del dispositivo. Esto ayudará a mantener la temperatura en el interior, asegurando que la mercancía se conserve durante al menos 8 horas.

No coloque botellas llenas en el aparato, los líquidos aumentan de volumen cuando se congelan, lo que puede hacer que las botellas estallen.

Clase climática

Según la norma EN 16901, este aparato está diseñado para funcionar en climas correspondientes a la clase C.

Clase climática EN 16901	Temperatura y humedad mínima	Temperatura y humedad máxima
A	+16°C, 80%	+30°C, 55%
B	+16°C, 80%	+35°C, 75%
C	+16°C, 80%	+40°C, 40%

Según la norma de seguridad eléctrica, IEC 60335-2-89, su clasificación es clase 4.

Clase climática IEC 60335-2-89	Temperatura (°C)	Humedad (%Rh)
3	25°C	60%
4	30°C	55%
5	40°C	40%

AHORRO DE ENERGÍA

Instale el dispositivo correctamente

Es decir, lejos de fuentes de calor, fuera de la luz solar directa, en un lugar bien ventilado

El frío correcto

Si decides cambiar la temperatura programada, ten en cuenta que el exceso de frío, además de consumir mucho, no mejora ni prolonga la conservación de los alimentos.

Cierre las tapas

Acceda al equipo solo cuando sea estrictamente necesario; cada vez que abra la tapa, se perderá la mayor parte del aire frío.

Para restaurar la temperatura correcta, el motor deberá consumir más energía.

Asegúrese de que las tapas permanezcan bien cerradas, las tapas

mal cerradas permiten que entre aire húmedo y caliente, en un lugar bien ventilado.

El frío correcto

Lo que hace que el hielo se acumule en el interior y aumente el consumo.

Compruebe las juntas y el apriete de las tapas.

Mantenga los sellos limpios y flexibles para asegurarse de que no se pierda aire frío.

Evite la acumulación de hielo en el interior.

Recuerde descongelar el aparato cuando el hielo acumulado en las paredes internas sea espeso.

La acumulación de hielo reduce la eficiencia del aparato.

MANTENIMIENTO DEL EQUIPO

Antes de iniciar las operaciones de limpieza o mantenimiento, recuerde desconectar el aparato de la red eléctrica (desconectar el enchufe de la toma de corriente o del interruptor principal de la habitación).

ATENCIÓN: no dañe el circuito frigorífico.

Descongelación:

Es conveniente eliminar periódicamente el hielo acumulado en las paredes internas.

No utilice objetos afilados para raspar el hielo, ya que pueden perforar el circuito de refrigerante y causar daños irreparables al aparato.

Para descongelar completamente el aparato, desconecte el enchufe del tomacorriente y deje las tapas abiertas hasta que todo el hielo se haya derretido.

El agua de descongelación se puede recoger utilizando el desagüe disponible para este fin y una bandeja (ver imagen en la página de inicio).

Para acelerar la descongelación, puede insertar recipientes de

agua caliente en el aparato.

Limpiar el aparato

El interior del congelador debe limpiarse regularmente después de descongelar. Use solo una solución de agua y bicarbonato de sodio para limpiar. No utilice limpiadores, detergentes ni jabón abrasivos. Después de limpiar, enjuague con agua limpia y seque bien.

Vuelva a encender el dispositivo siguiendo las instrucciones de la sección "Uso del aparato".

Limpieza del condensador

El tipo de condensador utilizado en su congelador no requiere una limpieza regular.

Cuando no está en uso

Si la unidad no se va a utilizar durante un período prolongado, desconecte el enchufe del tomacorriente y deje la tapa abierta para evitar la formación de moho y olores desagradables.

RESOLUCIÓN DE PROBLEMAS

El equipo no enfría correctamente:

- Compruebe que las tapas estén bien cerradas o que las juntas estén dañadas.
- Compruebe que las cubiertas no se abran con demasiada frecuencia.
- Compruebe que la temperatura objetivo esté programada correctamente.
- Compruebe que el aparato no esté sobrecargado.

Acumulación de hielo dentro del aparato:

Nota: Su aparato no tiene descongelación automática, es necesario descongelar manualmente cuando el hielo es excesivo

- Compruebe que las tapas estén bien cerradas o que las juntas estén dañadas.
- Compruebe que las cubiertas no se abran con demasiada frecuencia.
- Compruebe que las condiciones del lugar donde está instalado

sean acordes a la clase climática del dispositivo.

El aparato emite demasiado ruido:

- Compruebe que el dispositivo no se haya instalado contra objetos que puedan vibrar y causar ruido.
- El ruido causado por el gas refrigerante, incluso cuando el compresor está parado, es normal.

Si, a pesar de todos los controles, la unidad no funcionará correctamente, contacte con el servicio técnico autorizado por el fabricante, o su representante, indicando el modelo de dispositivo "Mod" y el número de serie correspondiente "SN". Esta información se puede encontrar en la placa de características en la parte posterior del dispositivo.

Nunca llame a técnicos no autorizados y rechace piezas que no sean originales.

SERVICIO AL CLIENTE

Garantía, asistencia técnica y repuestos para productos comercializados en el Espacio Económico Europeo (EEE):

El período mínimo de garantía en el EEE es de 12 meses después de la fecha de compra del equipo.

Los accesorios y piezas originales, relevantes para mantener la funcionalidad del dispositivo, se pueden obtener por un período de no menos de 8 años a partir de la fecha de venta del dispositivo.

Para solicitarlos, consulte con el servicio de atención al cliente, indicando el accesorio deseado y proporcionando la referencia y número de serie del dispositivo.

Algunas piezas están reservadas para el montaje por profesionales acreditados y no se pueden vender a usuarios finales.

Los reparadores profesionales pueden solicitar la acreditación con

el fabricante o su representante, poniéndose en contacto con el servicio de atención al cliente en la dirección indicada en la placa de características en la parte posterior del aparato. Después del registro y aprobación de las credenciales, se enviará toda la documentación técnica relevante. Puede haber un costo asociado con este proceso.

La lectura del código QR, existente en la etiqueta de consumo energético (solo aplicable en el EEE), establece una conexión Web a la información relacionada con el rendimiento y características técnicas del dispositivo registrado en la base de datos EPREL. Puede encontrar información adicional en [//eprel.ec.europa.eu](http://eprel.ec.europa.eu). Para otros mercados consultar las condiciones en el punto de venta.

FR

SÛRETÉ

ATTENTION

Lire attentivement les avertissements contenus dans ce livret car ils fournissent des indications importantes pour la sécurité de l'installation, de l'utilisation et de l'entretien.

Votre réfrigérateur est construit aux normes de sûreté électrique 2014/35/UE.

Il répond également aux normes 2014/30/UE sur la prévention et l'élimination de l'interférence par radio.

- Gardez ce manuel à votre disposition à tout moment.
- Le Fabricant se réserve le droit de changer les caractéristiques des modèles sans préavis.
- Certains modèles peuvent ne pas disposer de la totalité des accessoires signalés.

Mise en Garde: Cet appareil doit être relié à la terre.

1. Cet appareil ne doit pas être installé à l'extérieur, même à l'abri d'un appentis, il est extrêmement dangereux de le laisser exposé à la pluie et aux orages.

2. Ne touchez jamais ni ne manœuvrez l'appareil pieds nus ou avec les mains ou les pieds mouillés.

3. Nous déconseillons d'utiliser des rallonges ou des prises multiples. Si le réfrigérateur est installé entre des meubles, veillez par soucis de sécurité à ce que le cordon

d'alimentation ne soit ni plié ni comprimé.

4. Ne tirez jamais sur le cordon ou le réfrigérateur pour débrancher la prise du courant: c'est extrêmement dangereux.

5. Ne touchez pas aux parties internes refroidissant, surtout si vous avez les mains mouillées, pour éviter toute brûlure ou blessure.

6. Ne procédez à aucune opération de nettoyage ou d'entretien sans avoir auparavant débranché l'appareil.

7. Avant d'envoyer votre ancien réfrigérateur à la déchetterie, rendez sa serrure inutilisable. Vous éviterez ainsi que des enfants en jouant, ne restent enfermés à l'intérieur. De plus, si l'appareil est neuf et muni d'une serrure, veillez à ranger la clef hors d'atteinte des enfants.

8. En cas de panne, consultez le chapitre "Dépannage" pour vérifier si vous pouvez vous-même résoudre le problème.

Ne tentez pas de réparer la panne en essayant d'accéder aux parties internes.

9. Si le câble d'alimentation est endommagé, il doit être remplacé par le fabricant, son service après-vente ou des personnes de qualification similaire afin d'éviter un danger.

10. Ne pas utiliser d'appareils électriques à l'intérieur du compartiment de conservation des aliments s'ils n'appartiennent pas aux catégories recommandées par le fabricant.


Ne pas utiliser de dispositifs mécaniques

ou autres moyens pour accélérer le processus de dégivrage autres que ceux recommandés par le fabricant.

11. Ne pas stocker dans cet appareil des substances explosives telles que des aérosols contenant des gaz propulseurs inflammables.

12. Avant d'envoyer votre appareil hors d'usage à la déchetterie, veillez à le rendre sûr car sa mousse isolante contient du gaz cyclopentane et son circuit réfrigérant peut contenir du gaz R600a ou R290 (hydrocarbures) dans le circuit de réfrigération, il est nécessaire de promouvoir leur élimination

conformément à la législation en vigueur. Pour cette opération, adressez-vous à votre revendeur ou au Service local prévu à cet effet.

 Risque d'incendie, matériaux inflammables.

13. N'endommagez pas le circuit de réfrigération.

14. Maintenir propre et dégagées les ouvertures de ventilation.

15. Charge maximale par panier 15kg.

16. L'équipement en fonctionnement ne dépasse pas le niveau de bruit de 70 dB.

INSTALLATION

Pour garantir le bon fonctionnement de votre appareil tout en réduisant sa consommation d'électricité, il faut qu'il soit installé correctement.

L'aération

Le compresseur et le condenseur produisent de la chaleur et exigent par conséquent une bonne aération. Les pièces mal ventilées sont par conséquent déconseillées. L'appareil doit donc être installé dans une pièce munie d'une ouverture (fenêtre ou porte-fenêtre) qui permette de renouveler l'air et qui ne soit pas trop humide.

Attention, lors de son installation, à ne pas boucher les grilles d'aération de l'appareil.

Pour une bonne aération de l'appareil, il faut prévoir une distance de 10 cm au moins entre les côtés de l'appareil et des meubles ou des murs latéraux.

Loin de toute source de chaleur

Évitez d'installer votre appareil dans un endroit exposé à la lumière directe du soleil ou près d'une cuisinière électrique ou autre.

Mise à niveau

Installez l'appareil sur un sol plat et rigide.

Raccordement électrique et mise à terre

Vous ne devriez pas mettre en marche l'appareil immédiatement après le transport. Deux heures sera suffisante pour que l'huile du compresseur revienne à son état normal.

Avant de procéder à tout raccordement électrique, contrôlez si le voltage indiqué sur la plaquette des caractéristiques correspond bien à celui de votre installation et contrôlez si la prise est dotée d'une mise à la terre conforme, comme prescrit par la sécurité des installations. S'il n'y a pas de mise à la terre, le Fabricant décline toute responsabilité. N'utilisez prises multiples ni adaptateurs. Installez l'appareil de manière à ce que la prise à laquelle il est connecté soit parfaitement accessible.

Puissance électrique

La prise électrique doit être en mesure de supporter la charge maximum de puissance de l'appareil, indiquée sur la plaquette des caractéristiques placée à l'arrière du congélateur.

MISE EN SERVICE DE L'APPAREIL

Avant de mettre l'appareil en marche, suivez les instructions d'installation (voir "Sécurité" et "Installation").

Avant de brancher votre appareil, nettoyez employant une solution de l'eau et de bicarbonate. Après que l'intérieur soit nettoyé, rincez avec de l'eau propre et séchez soigneusement.

Insérez la fiche dans la prise, le contrôleur ou le thermomètre (selon l'option produit) affichera la température interne de l'appareil.

Modèles avec contrôleur électronique:

Appuyer et relâcher la touche du contrôleur "1" affichera le point de consigne réel. Vous pouvez ajuster cette valeur en appuyant à plusieurs reprises sur la touche "1"; le point de consigne changera dans la plage de -9°C à -22°C. Arrivé à la température minimale, il redémarrera depuis le début de l'intervalle. La configuration sera mémorisée après 5 secondes sans toucher à aucune touche.

Les valeurs affichées sur le contrôleur sont les vraies lues dans l'appareil, il faut donc attendre que les nouvelles conditions internes soient effectives.

Symbole compresseur "2": s'il est fixe, le compresseur fonctionne,

clignotement signifie que le compresseur démarrera dans quelques minutes (cycle anti-court).

Modèles avec thermostat mécanique et thermomètre:

La température est régulée avec le bouton situé sur la grille de ventilation, cherchez une position moyenne et laissez la température stabiliser pendant quelques heures, ajustée si nécessaire en fonction de la température lue sur le thermomètre.

Ne remplissez pas au-dessus des repères de charge; permettre la libre circulation de l'air autour des dieux.

Placer uniquement des aliments froids ou à température ambiante.

NOTIFICATION

Arrangements de température moyens d'utilisation pour assurer l'exécution optimale et pour économiser de l'énergie.

Certains modèles peuvent ne pas avoir toutes les fonctions décrites.

UTILISATION EFFICACE DE L'APPAREIL

Conseils sur le stockage

La température de stockage de la crème glacée dépend de la formulation; ajustez le point de consigne afin d'obtenir la température interne qui convient à vos besoins spécifiques.

La température interne peut être lue sur le contrôleur ou le thermomètre (selon l'option produit); vous devez la permettre de se stabiliser après chaque ajustement de température.

Les réglages qui conduisent à des températures internes plus chaudes que recommandées, peuvent compromettre la préservation des produits alimentaires.

En cas de panne de courant ou de panne, n'ouvrez pas le couvercle de l'appareil. Cela aidera à maintenir la température à l'intérieur de l'unité, garantissant que les marchandises sont conservées pendant au moins 8 heures.

Ne placez pas de bouteilles pleines dans l'appareil car les liquides augmentent de volume lorsqu'ils gèlent et cela pourrait faire éclater les bouteilles.

Classe climática

Selon la norme EN 16901, cet appareil est conçu pour fonctionner dans des climats correspondant à la classe C.

Classe climatique EN 16901	Température et humidité minimale	Température et humidité maximale
A	+16°C, 80%	+30°C, 55%
B	+16°C, 80%	+35°C, 75%
C	+16°C, 80%	+40°C, 40%

Selon la norme de sécurité électrique CEI 60335-2-89, sa classification est la classe 4.

Classe climatique IEC 60335-2-89	Température (°C)	Humidité (%Rh)
3	25°C	60%
4	30°C	55%
5	40°C	40%

ÉCONOMIE D'ÉNERGIE

Installez l'appareil correctement

Ceci signifie que l'appareil devrait être installé loin des sources de chaleur ou lumière du soleil directe, dans une salle bien aérée.

Arrangements de température corrects

Les températures très basses ne consomment non seulement beaucoup d'énergie, mais veulent ni améliorent ni rallongent la durée de stockage de la nourriture.

Fermez les couvercles

Ouvrez votre appareil seulement si strictement nécessaire - chaque fois vous ouvrez les couvercles plus d'air froid serez

perdus. Afin de reconstituer la température correcte, le moteur devra courir et consommer l'énergie.

Vérifiez les joints

Maintenez les joints des couvercles propres et flexibles pour s'assurer qu'aucun air froid n'est perdu.

Évitez l'habillage de gel

Rappelez-vous d'examiner les côtés du congélateur pour assurer le gel. Quand le gel devient trop épais, dégivrez le congélateur immédiatement (voyez "Maintenance de l'Appareil").

MAINTIEN DE L'APPAREIL

Avant de faire n'importe quel nettoyage, démontez l'appareil de l'électricité (en retirant la prise ou la rotation outre du commutateur général dans votre maison).

AVERTISSEMENT: n'endommagez pas le circuit de réfrigération.

Dégivrage

C'est une bonne idée d'enlever l'habillage de gel de l'intérieur de l'appareil de temps en temps. Veillez à ne pas employer les objets aigus en métal pour faire pour ceci pourrait avoir en perçant les circuits de réfrigération, endommageant irréparable l'appareil.

Pour dégivrer le congélateur complètement, débranche l'appareil de l'alimentation d'énergie et laissez les couvercles ouverts jusqu'à ce que tout le gel ait fondu.

L'eau de dégivrage peut être récupérée à l'aide du drain dédié et d'un bac.

Pour accélérer le dégivrage, un ou plusieurs pots d'eau tiède peuvent être placés à l'intérieur de l'appareil.

nettoyage et l'entretien

L'intérieur du congélateur devraient être nettoyés sur une base périodique après qu'elle ait été dégivrée.

Employez seulement une solution de l'eau et de bicarbonate pour nettoyer l'appareil. N'employez pas les produits, les détergents ou les savons abrasifs de nettoyage.

Après que l'intérieur ait été nettoyé, rincez bien avec de l'eau propre et séchez soigneusement. Une fois que l'appareil a été nettoyé, allumez l'appareil, après les instructions en "Installation".

Nettoyage du condenseur

Le type de condenseur utilisé dans votre congélateur ne nécessite pas de nettoyage régulier.

Quand pas en service

Si l'unité n'est pas employée pendant une longue période, démonter la prise de courant et laisser la porte ouverte pour éviter la formation de moisissure et des odeurs désagréables après exécution du dégivrage et du nettoyage.

DÉPANNAGE

Le congélateur refroidisse peu

- Les couvercles ne ferment pas bien ou les joints sont abimés.
- Ouverture trop fréquente.
- Le point de consigne du contrôleur est correctement programmé.
- Le produit a été trop rempli.
- La température ambiante de la zone entourant l'appareil est conforme à la classe climatique du produit.

Accumulation de glace à l'intérieur de l'appareil:

Remarque: Votre appareil ne dispose pas de dégivrage automatique, il est nécessaire de décongeler manuellement lorsque la glace est excessive

- Les couvercles ne ferment pas bien ou les joints sont abimés.
- Ouverture trop fréquente.
- La température ambiante de la zone entourant l'appareil est conforme à la classe climatique du produit.

L'appareil fait trop de bruit

- L'appareil a été installé entre les coffrets qui vibrent et font le bruit.
- C'est le bruit fait par le réfrigérant, qui se produit même lorsque le compresseur est éteint (ce n'est pas un défaut).

Si, malgré tous ces contrôles, l'appareil ne fonctionne toujours pas et l'inconvénient persiste, faites appel au service après-vente le plus proche de chez vous, communication: type de défaut, le modèle (**Mod.**) et le Numéro de Série de l'appareil (**SN**). Ces informations se trouvent sur la plaque signalétique située sur le côté de l'appareil.

Ne jamais faire appel à des techniciens non agréés et refusez toujours des pièces de rechange qui ne sont pas d'origine.

SERVICE CLIENTS

Garantie, assistance technique et pièces de rechange pour les produits commercialisés dans l'Espace Économique Européen:

La période de garantie minimale dans l'EEE est de 12 mois après la date d'achat de l'équipement.

Les accessoires et pièces d'origine, pertinents pour maintenir la fonctionnalité de l'appareil, peuvent être obtenus pour une période d'au moins 8 ans à compter de la date de vente de l'appareil. Pour les commander, consultez le service client en indiquant l'accessoire souhaité et en fournissant la référence et le numéro de série de l'appareil.

Certaines pièces sont réservées à l'assemblage par des professionnels réputés et ne peuvent pas être vendues aux utilisateurs finaux.

Les réparateurs professionnels peuvent demander une accrédita-

tion auprès du fabricant ou de son représentant en contactant le service client à l'adresse indiquée sur la plaque signalétique au dos de l'appareil.

Après l'enregistrement et l'approbation des informations d'identification, toute la documentation technique pertinente sera envoyée. Il peut y avoir un coût associé à ce processus.

La lecture du code QR, présent sur l'étiquette de consommation d'énergie (applicable uniquement dans l'EEE), établit une connexion Web avec des informations relatives aux performances et aux caractéristiques techniques de l'appareil enregistrées dans la base de données EPREL.

Des informations supplémentaires sont disponibles sur [//eprel.ec.europa.eu](http://eprel.ec.europa.eu).

Pour les autres marchés, vérifiez les conditions au point de vente.